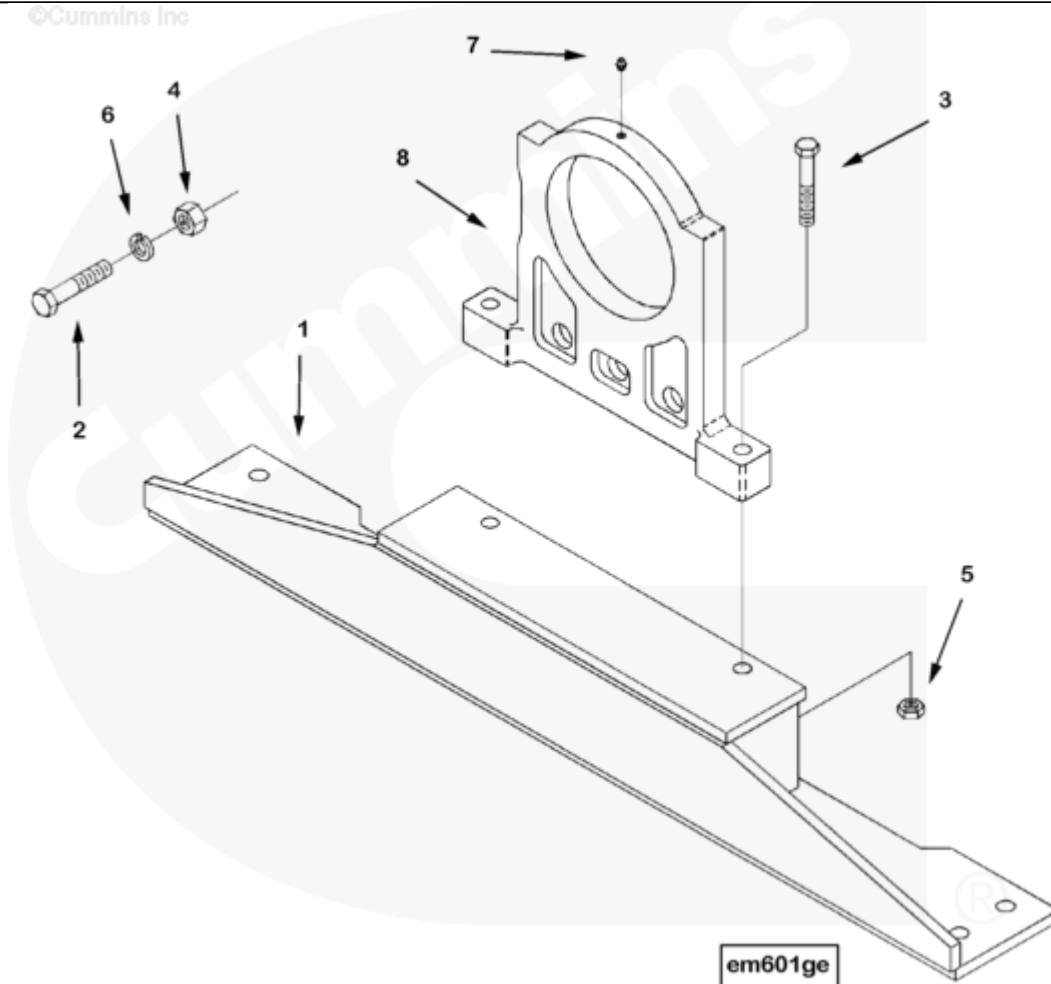




Parts Catalog - Option Detail

Electronic Parts Catalog - Option Detail				
Option	Group	Graphic	Film Card	Date
EM6074-04	16.03	em601ge	K38	15-OCT-98
Engines	GTA38, K38, KTA38GC CM558, QSK38 CM2150 K106, QSK38 CM2150 MCRS, QSK38 CM850 MCRS			



[SMALL](#) | [MEDIUM](#) | [LARGE](#)

Cart	Ref No	Part Number	Part Description	Required	Remarks
View My Cart					
		EM6074-04	Front Engine Support		Trunnion type front engine...(More)
					support. Plus engine support
					bracket in kit, for mounting
					on 48.5 inch (1232mm) centres

					- 16.5 inch (419mm) below
					crankshaft centerline. Two
					5/8-11 UNC jacking screws
					provided.
<input type="checkbox"/>	1	3058369	Front Engine Support	1	
<input type="checkbox"/>	2	S 189	Hexagon Head Cap Screw	2	3/4 - 10 X 3 3/4 in.
<input type="checkbox"/>	3	S 192 A	Hexagon Head Cap Screw	2	5/8 - 11 X 4 in.
<input type="checkbox"/>	4	S 204	Heavy Hexagon Nut	2	3/4 - 10 UNC
<input type="checkbox"/>	5	S 201	Heavy Hexagon Nut	2	5/8 - 11 UNC.
<input type="checkbox"/>	6	S 611	Lock Washer	2	3/4 in.
<input type="checkbox"/>	7	S 2268	Grease Fitting	1	
<input type="checkbox"/>	8	3177812	Front Engine Support	1	

© 2019 Cummins Inc., Box 3005, Columbus, IN 47202-3005 U.S.A.
Terms of Use and Disclaimers | Recommended System Requirements
Need Assistance? Please click on the Contact Us button in the top right corner of any page.